



SME HV-AN 1uH/200 SHIELDED METAL ENCLOSURE FOR HV-AN 1uH-200-VW80300 AND HV-AN 200



- Rugged design, stainless steel
- Individual access to each HV-AN
- Full screening using screened room door technology
- Flexible HV connection
- Replaceable media panels for customized applications

The shielded metal enclosure (SME) is designed to contain two High Voltage Artificial Networks, HV-AN 150 according to ISO/DTS 7637-4 and the HV part of CISPR 12 (draft), CISPR 25, ECE No. 10 R05/06 and ISO 11452-1. It is applicable to all electrical vehicles, i.e., battery, hybrid or plugin electric vehicle. The design of the SME HV-AN 1uH/200 allows easy handling when connecting the coaxial HV+ and HV- lines to the HV-AN. The cable shield is contacted through two massive terminals to enable a good RF ground contact through the massive terminals. The inner conductor is strain-relieved by the cable gland and led to the connections of the HV-AN. The SME HV-AN 1uH/200 allows the two individual HV AN to be directly connected to the ground plane and allows access to each HV AN. In addition to the box, the scope of delivery of the SME HV-AN 1uH/200 includes two RF cables and four connection brackets.



Both sides fully open



Flexible HV connection

High voltage part of the following standards:

- CISPR 12, CISPR 25
- ECE No. 10 R05/R06
- ISO/DTS 7637-4
- ISO 11452-1
- And other Automotive standards



Full screening using screened room door technology



Side view

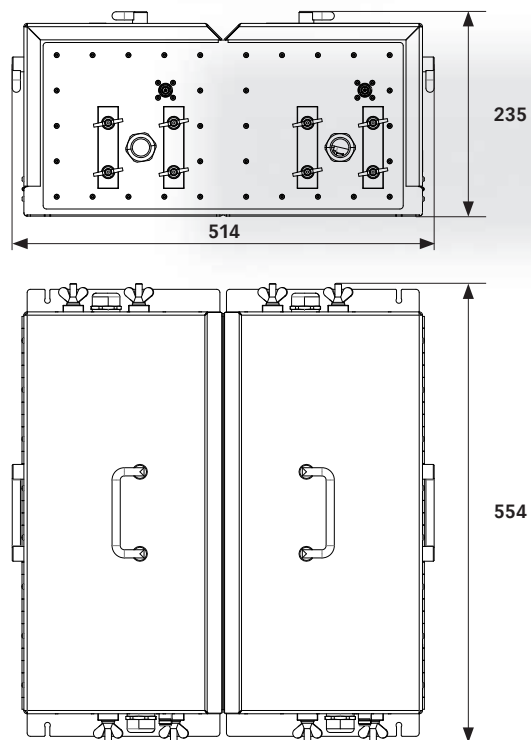
Technical specifications

Connectors front panel	2 x N (female)
Weight (empty)	23 kg (approx.)
Weight (with 2x HV-AN 200)	38 kg (approx.)
Dimensions (LxWxH)	554 x 514 x 235 mm

SME HV-AN 1uH/200

SHIELDED METAL ENCLOSURE FOR HV-AN 1uH-200-VW80300 AND HV-AN 200

Outline dimensions in mm



Model No. and options

AMETEK CTS Europe GmbH
Landsberger Str. 255 · 12623 Berlin · Germany
T +49 30 56 59 88 35 F +49 30 56 59 88 34
customer care.cts@ametek.com
www.ametek-cts.com

© August 2021 Teseq®
Specifications subject to change without notice.
Teseq® is an ISO-registered company. Its products are designed and manufactured under the strict quality and environmental requirements of the ISO 9001. This document has been carefully checked. However, Teseq® does not assume any liability for errors or inaccuracies.

82-259603 E01 August 2021

Part number	Description
259603	SME HV-AN 1uH/200 Shielded metal enclosure for two HV-AN 1uH-200-VW80300 or HV-AN 200
Related products	
259601	HV-AN 200 5 µH high voltage artificial network, unshielded, butterfly screw, for Automotive conform with ISO 7637-2 and HV part of CISPR 12 (draft), CISPR 25, ECE No.10 R05 / R06, ISO 11452-1 and ISO 7637-4
259602	HV-AN 1uH-200-VW80300 1 µH high voltage artificial network, 200 A, according to VW 80300