

MFG 40-100

FOR 50/60 HZ MAGNETIC FIELD TESTING



FOR TESTS ACCORDING TO ...

- › EN 61000-4-8
- › EN 61000-6-1
- › EN 61000-6-2
- › IEC 61000-4-8

MFG 40-100 - MAGNETIC FIELD GENERATOR

The manual operated magnetic field generator MFG 40-100 is a standard accessory to generate in conjunction with a magnetic loop a magnetic field. The MFG 40-100 provides a convenient means of generating and adjusting the current to flow through one of the magnetic field loops, like MFC 30 or MFC 300. It is required for magnetic field testing for fields up to 130 A/m. It complies with the requirements of IEC 61000-4-8 and can be used as a stand alone instrument.

HIGHLIGHTS

- › As per IEC 61000-4-8
- › Integrated sine wave generator and amplifier
- › Manual stand-alone solution for 50/60 Hz-magnetic fields
- › Specified for inductive loads
- › Max. 40 A/m with MFC 30, 130 A/m with MFC 300
- › Range selection High/Low
- › Integrated overload protection

APPLICATION AREAS

-  INDUSTRY
-  RESIDENTIAL

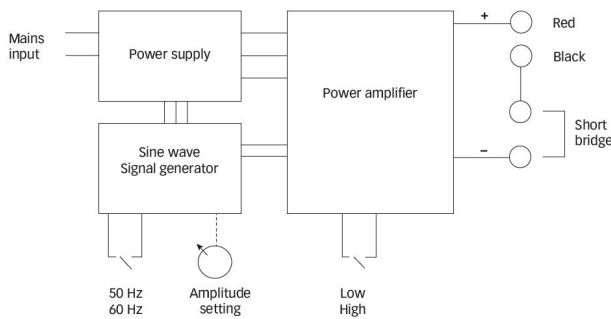
TECHNICAL DETAILS

CIRCUIT DIAGRAM MFG 40-100

The MFG 40-100 includes a power supply as well as a sine wave signal generator to generate a 50 or 60 Hz-signal. To adjust the test-level an external ampere meter (not included in delivery) is required.

A High/Low-range selector at the likewise integrated amplifier allows to finetune the test level at low magnetic field strengths.

The required magnetic-field-frequency can be selected with a separate switch. 4 mm safety banana plugs has to be used to connect the loop antenna.



CURRENT REQUIRED IN LOOP ANTENNA

The field generated through the loop antenna is directly proportional to the current flowing through it. Use the external multimeter to adjust the required current.

$$H = Cf \times I$$

Where H is the generated field, Cf the coil factor, I the current flowing through the loop.

Standard level	Field in the loop A/m	Current required for loop antenna	
		MFC 30 Cf = 9,8	MFC 300 Cf = 34
1	1	0,102 A	N/A
2	3	0,306 A	0,088 A
3	10	1,02 A	0,294 A
4	30	3,06 A	0,882 A
x	40(max)	4,08 A	1,18 A
x	130	N/A	3, 82 A

MFG 40-100

TECHNICAL DETAILS

Magnetic field adjustment	Manually via potentiometer
Range Low	80 to 400 mA into MFC 30 (Cf 9,8) allows 0,8 to 4 A/m 80 to 400 mA into MFC 300 (Cf 34) allows 2,7 to 13,6 A/m
Range High	200 to 4,1 A into MFC 30 (Cf 9,8) allows 2 to 40 A/m 200 to 4,1 A into MFC 300 (Cf 34) allows 6,8 to 130 A/m
Dimensions	195 x 180 380 mm
Weight	4 kg
Connections	Mains supply in socket (C14) Sockets for DVM, 4 mm safety banana sockets Power out via 4 mm safety banana sockets
Supply voltage	Wide-range power-supply 90 to 240 VAC
Power consumption	< 150 W
Operating temperature	5° - 40° C 41° - 104° F
Overload protection	By temperature sensor on power stage
Total harmonic distortion (THD)	< 8% (nominal < 3,5% at full range)
Frequency	Selectable 50 and 60 Hz +/- 3%
Operating position	Laying or standing on a work bench, or for more permanent applications, it can be wall mounted
Suitable loads	MFG 40-100 is designed to drive INDUCTIVE LOADS ONLY, such as multi-turn magnetic field loops. Connecting capacitive loads will destroy the instrument

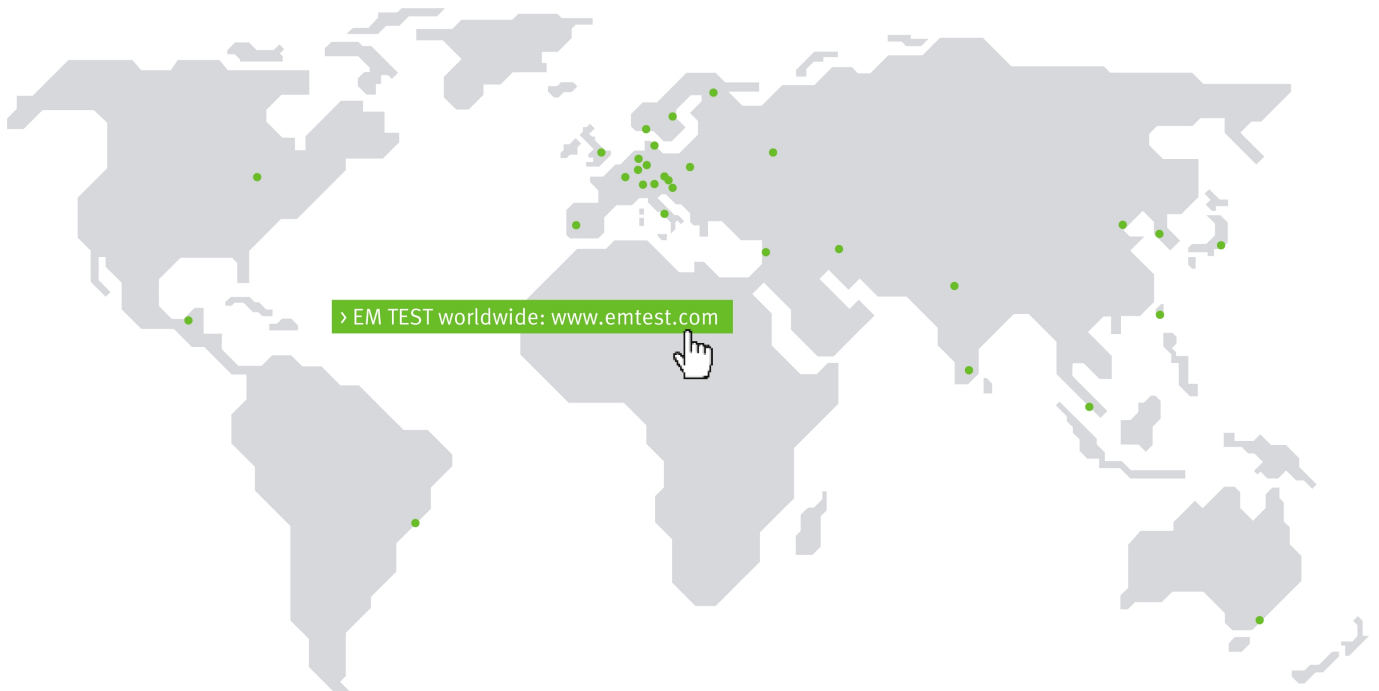
TECHNICAL DETAILS

ACCESSORIES

LOOP ANTENNA

MFC 30	<p>Multi-turn magnetic field loop</p> <ul style="list-style-type: none"> - 1 turn, with pulse plug (included in delivery of MFC 30) - 11 turns, with power plug (included in delivery of MFC 30) <p>Max. field strengths of 40 A/m (continuous)</p> <p>4 mm safety banana plugs, connection cables to MFG 40-100 included</p>
MFC 300	<p>Multi-turn magnetic field loop</p> <ul style="list-style-type: none"> - 1 turn - 5 turns - 37 turns <p>Max. field strengths of 130 A/m (continuous)</p> <p>Requires INA 2141 impedance box when used in combination with Profline system NSG 1007</p> <p>Round 4 pole connector.</p> <p>Interconnection cable to MFG 40-100 optional available (INA 3251)</p> <p>Interconnection cable to Profline/NSG 1007 optional available (INA 3250), requires additional impedance box INA 2141</p>

COMPETENCE WHEREVER YOU ARE



CONTACT EM TEST DIRECTLY

Switzerland

AMETEK CTS GmbH › Sternenhofstraße 15 › 4153 Reinach › Switzerland
Phone +41 (0)61 204 41 11 › Fax +41 (0)61 204 41 00
Internet: www.ametek-cts.com › E-mail: sales.conducted.cts@ametek.com

Germany

AMETEK CTS Europe GmbH › Customer Care Center EMEA › Lünener Straße 211
› 59174 Kamen › Germany
Phone +49 (0) 2307 26070-0 › Fax +49 (0) 2307 17050
Internet: www.ametek-cts.com › E-mail: info.cts.de@ametek.com

Poland

AMETEK CTS Europe GmbH › Biuro w Polsce › ul. Twarda 44 › 00-831 Warsaw › Poland
Phone +48 (0) 518 643 12
Internet: www.ametek-cts.com › E-mail: Infopolska.cts@ametek.com

USA / Canada

AMETEK CTS US › 52 Mayfield Ave › Edison › NJ 08837 › USA
Phone +1 732 417 0501
Internet: www.ametek-cts.com › E-mail: usasales.cts@ametek.com

P.R. China

AMETEK Commercial Enterprise (Shanghai) Co. Ltd. › Beijing Branch › Western Section, 2nd floor › Jing Dong Fang Building (B10) › Chaoyang District › Beijing, China, 100015
Phone +86 10 8526 2111 › Fax +86 (0)10 82 67 62 38
Internet: www.ametek-cts.com › E-mail: chinasales@ametek.com

Republic of Korea

EM TEST Korea Limited › #405 › WooYeon Plaza › #986-8 › YoungDeok-dong › Giheung-gu › Yongin-si › Gyeonggi-do › Korea
Phone +82 (31) 216 8616 › Fax +82 (31) 216 8616
Internet: www.emtest.co.kr › E-mail: sales@emtest.co.kr

Singapore

AMETEK Singapore Pte. Ltd › No. 43 Changi South Avenue 2 › 04-01 Singapore 48164
Internet: www.ametek-cts.com › E-mail: singaporesales.cts@ametek.com

Great Britain

AMETEK GB › 5 Ashville Way › Molly Millars Lane › Wokingham › Berkshire RG41 2 PL › Great Britain
Phone +44 845 074 0660
Internet: www.ametek-cts.com

Information about scope of delivery, visual design and technical data correspond with the state of development at time of release. Subject to change without further notice.