



LE 4031 ACCESSORY SET FOR NSG 4031 LEVEL SETTING WITH CDND M316-16



- Designed for IEC / EN 61000-4-31
- Designed for NSG 4031 and CDND M316-16
- Set includes RF cables, attenuators, baluns and termination

IEC/EN 61000-4-31, with the title “Testing and measurement techniques–AC mains ports broadband conducted disturbance immunity test”, specifies the testing in the frequency range 150 kHz to 80 MHz. Teseq offers with the broadband immunity test system NSG 4031 and CDND M316-16, a specific coupling/decoupling network, and LE 4031 a complete solution for this standard requirement. The LE 4031 provides the RF cables, attenuators, baluns and termination as needed for the level setting procedure in accordance with the standard IEC/EN 61000-4-31.

Scope of delivery

Item	Quantity
Balun MB 100-20	2
Support for MB 100-20	2
AD 1mm/4mm	2
Cable AD 1mm	1
ADAPT N-J BNC-P	2
2 dB attenuator, 150 W, N (f) to N (f)	1
20 dB attenuator, 50 W, N (f) to N (f)	1
Cable N (m) to BNC (m) 2m	2
Cable N (m) to N (m) 50 cm	2
TERM N PLUG 50R 2W 6GHz	1
Storage case	1

Electrical specification of the attenuators

Frequency range:	0 to 1000 MHz
Impedance:	50 Ω
Insertion loss:	2 dB and 20 dB
Insertion loss tolerance:	±0.5 dB
max. VSWR:	1 : 1.25
Connector input/output:	N type female
Power rating at +25 °C / +125 °C:	2 dB: 150 W / 15 W, 20 dB: 50 W / 5 W

Mechanical specifications and environmental conditions of the attenuators

Size (L x H x D) of 2 dB type:	230 mm x 60 mm x 80 mm
Size (L x Ø) of 20 dB type:	112 mm x 45 mm
Weight:	2 dB: 1800 g, 20 dB: 270 g
Classification:	Indoor use only
Operating temperature:	-55 °C to +125 °C
Relative humidity:	up to 80 %

LE 4031 ACCESSORY SET FOR NSG 4031 LEVEL SETTING WITH CDND M316-16

Technical specifications of balun MB 100-20

Impedance:	50 Ω unbalanced : 100 Ω balanced
Frequency range:	100 kHz to 100 MHz
Insertion loss, typical:	0.4 dB @ 10 MHz (back to back; 0.2 dB for single unit)
Flatness, typical:	< 1 dB @ 100 kHz to 100 MHz
VSWR, typical:	50 Ω port < 1:1.25 @ 100 kHz to 30 MHz (100 MHz < 1:1.5) 100 Ω port < 1:1.25 @ 100 kHz to 100 MHz
LCL, typical:	100 Ω port >40 dB to 30 dB @ 100 kHz to 100 MHz
CMR, typical:	>75 dB to 25 dB @ 100 kHz to 100 MHz
Amplitude balance, typical:	< 0.1 dB @ 100 kHz to 30 MHz < 0.2 dB @ 30 MHz to 100 MHz
Phase balance, typical:	< 2° @ 100 kHz to 30 MHz < 4° @ 30 MHz to 100 MHz
Max. power:	20 W
Connector:	50 Ω port, BNC female 100 Ω port 1 mm female (2x 100 Ω port, 1x ground)

Mechanical specifications of balun MB 100-20

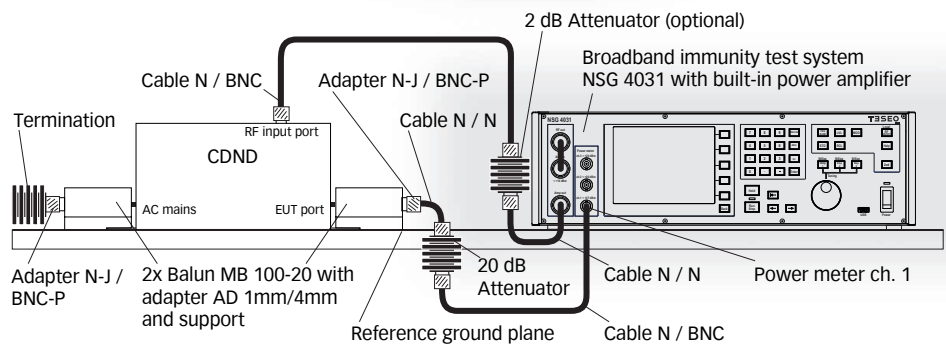
Size (W x H x D):	79 mm x 36 mm x 36 mm
Weight:	approx. 125 g

Mechanical specifications and environmental conditions of LE 4031

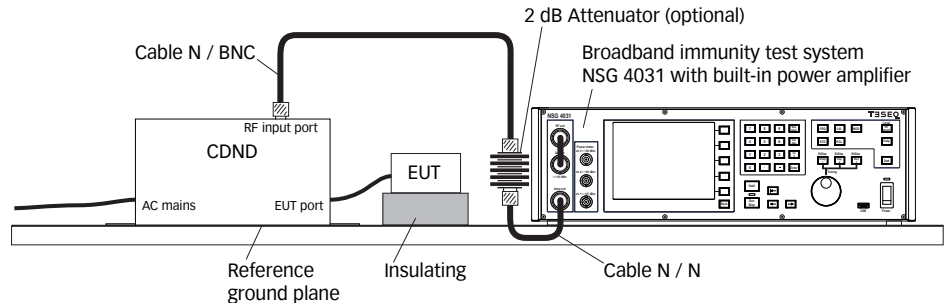
Size (W x H x D):	350 mm x 130 mm x 280 mm
Weight:	approx. 3.8 kg
Classification:	Indoor use only
Operating temperature:	+5 °C to +30 °C
Relative humidity:	up to 80 %

LE 4031 ACCESSORY SET FOR NSG 4031 LEVEL SETTING WITH CDND M316-16

Example setup for test level setting



Example setup for testing



Model No. and options

AMETEK CTS Europe GmbH
Landsberger Str. 255 · 12623 Berlin · Germany
T +49 30 56 59 88 35 F +49 30 56 59 88 34
info.rf.cts@ametec.com www.teseq.com

© March 2018 Teseq®
Specifications subject to change without notice.
Teseq® is an ISO-registered company. Its products
are designed and manufactured under the strict
quality and environmental requirements of the ISO
9001. This document has been carefully checked.
However, Teseq® does not assume any liability for
errors or inaccuracies.

82-256151 E01 March 2018

Part number	Description
256151	LE 4031 Cable, attenuator, balun and termination set for level setting of NSG 4031 with CDND M316-16
97-256151	LE 4031-TC Traceable calibration (ISO17025), order only with the device