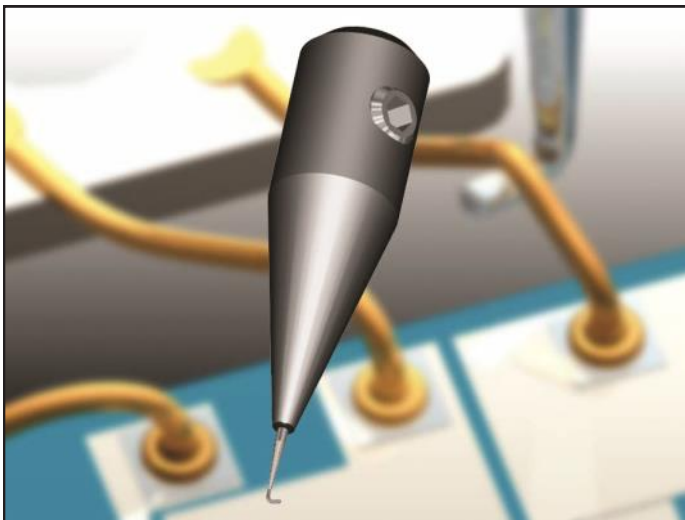


Product Datasheet

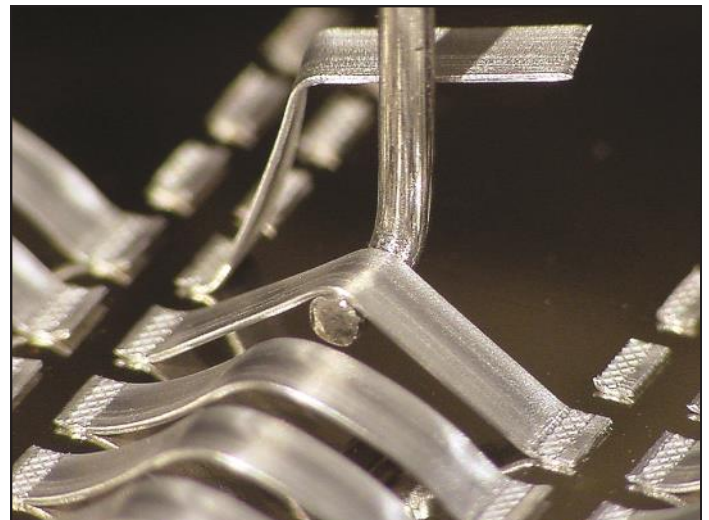
Wire and Ribbon Pull Test Hooks

Royce Instruments pull test hooks are compatible with Royce Instruments System 550, 552, 580, 610, 620 and 650. The hook dimensions meet the requirements of MIL 883 Method 2011 and 2023. To permit ease of rotation, each hook is carefully

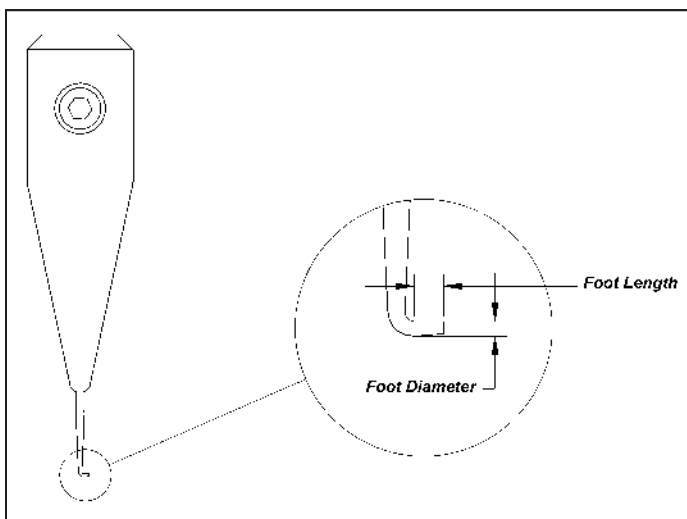
adjusted so that it will rotate concentrically. Below are listed the standard hook dimensions. We can usually ship custom hooks to user specified dimensions within a few days.



High Precision wire pull test hooks are available in a wide range of standard and custom sizes.



Ribbon pull hook for testing high power ribbon bonds



Choose a foot diameter of at least twice the diameter of the wire to be tested

Part Number	Foot Diameter	Foot Length
HT-001-04120	0.001 in, 25 μ m	0.005 in, 125 μ m
HT-002-04121	0.002 in, 50 μ m	0.005 in, 125 μ m
HT-003-04122	0.003 in, 75 μ m	0.006 in, 150 μ m
HT-004-04123	0.004 in, 100 μ m	0.008 in, 200 μ m
HT-005-04124	0.005 in, 125 μ m	0.010 in, 250 μ m
HT-006-04125	0.006 in, 150 μ m	0.012 in, 300 μ m
HT-010-04129	0.010 in, 255 μ m	0.020 in, 500 μ m
HT-015-04134	0.015 in, 380 μ m	0.030 in, 750 μ m
HT-020-04135	0.020 in, 505 μ m	0.030 in, 750 μ m
HT-025-04136	0.025 in, 635 μ m	0.037 in, 940 μ m
HT-032-04137	0.032 in, 810 μ m	0.048 in, 1200 μ m
HT- <i>nnn-nnnn</i>	Customer Choice	Customer Choice