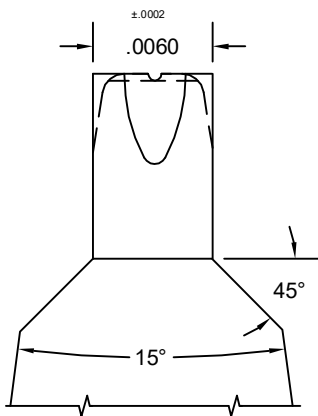
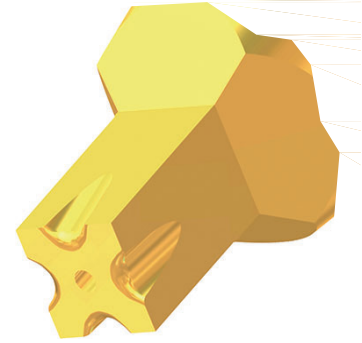
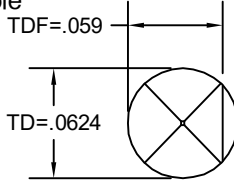
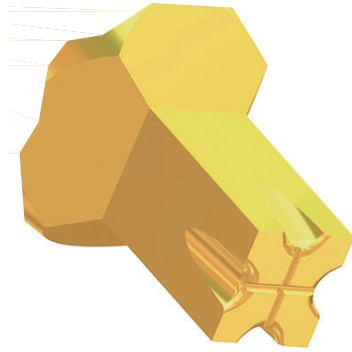


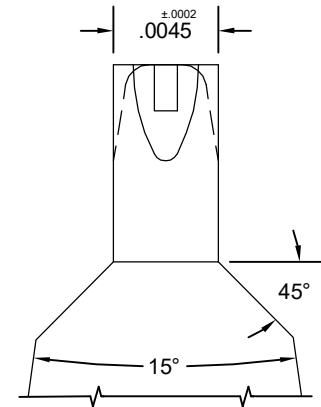
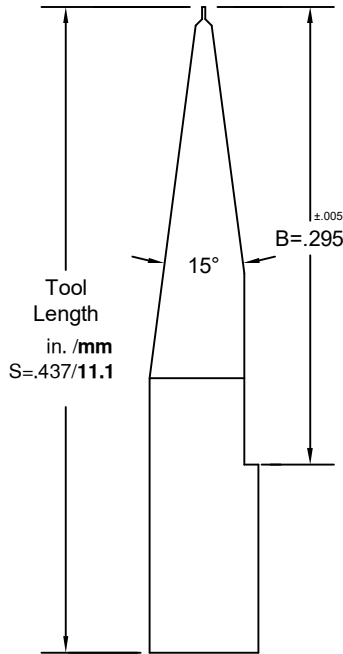
TESSERA®

Four Sides Tab Tool
with a Cross Groove or with a Dimple

Accelonix BV
Luchthavenweg 18b • NL-5657 EB •
Eindhoven • The Netherlands •
T: +31 40 750 1650 • E: info@accelonix.nl



Example for a Cross Groove:
TESS-M-S-6X6-17-CG



Example for a Dimple:
TESS-M-S-4.5X4.5-D

SAMPLE PART NUMBER: TESS-M-S-6X6-*
SYMBOL EXPLANATION: 1 2 3 4 5

1. SERIES: CT _____
2. MATERIAL: _____
 M = Ceramic
 C = Tungsten Carbide
 T = Titanium
 All other: See Material Selection Guide
3. TOOL LENGTH: S=.437/11.1 _____
4. TOOL SIZE: Please specify _____
5. OPTION: Tip Style and other options _____
 with a Cross Groove insert a "CG" and size
 with a Dimple insert a "D" (old DMPL)
 Type # 17 Example: **TESS-M-S-6X6-17-CG** or **TESS-M-S-6X6-18-CG**
 Please specify

Other dimensions available upon request
Please contact DeWeyl Tool Company

μ BGA® is the registered product trademark of Tessera®