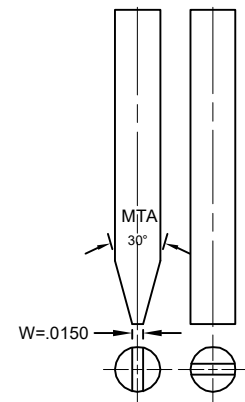
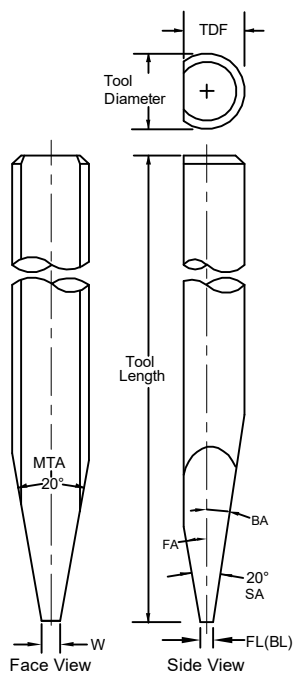
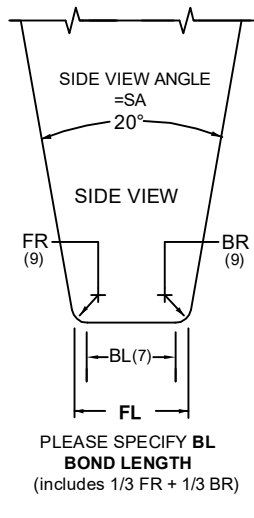
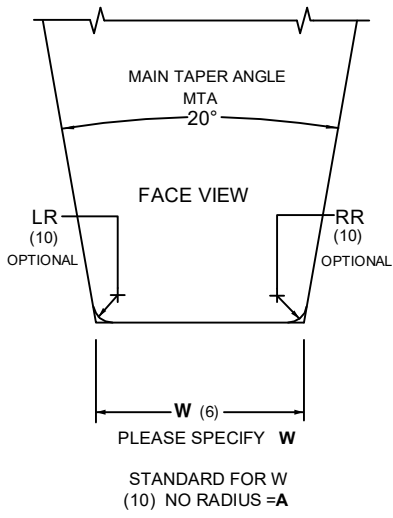
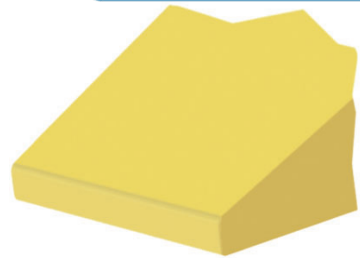


SERIES F-109

Right Angled Tip Tab Tool

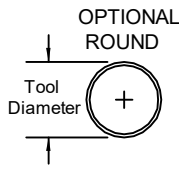


Accelonix BV
 Luchthavenweg 18b • NL-5657 EB •
 Eindhoven • The Netherlands •
 T: +31 40 750 1650 • E: info@accelonix.nl



	TD		TDF	
	inch	mm	inch	mm
1/16	.0624	1.58	.0460	1.17
1/16	.0624	1.58	.0590	1.50
	.0784	1.99	.0630	1.60
3/32	.0937	2.38	.0880	2.24
	.1180	3.00	.0985	2.50
1/8	.1249	3.17	.0937	2.38
1/8	.1249	3.17	.1100	2.79
1/8	.1249	3.17	.1180	3.00

For Standard Round specify TD only
 For Optional Flat specify TD and TDF



Example: Optional Round,
 no Radius, W=.0150,
 FL= same as Diameter, MTA=30°
 PART#: MF109-1/16-437-.015-M-MTA=30°

SAMPLE PART NUMBER: M- F -109-1/16-1-.010X.020-M-B5-A-*

SYMBOL EXPLANATION: 1 2 3 4 5 6 7 8 9 10 11

- 1. **MATERIAL:** _____
 M = Ceramic
 C = Tungsten Carbide
 T = Titanium
 All other: See Material Selection Guide
- 2. **SERIES:** F _____
- 3. **STYLE:** 109 _____
- 4. **TOOL DIAMETER:** Please specify _____
- 5. **TOOL LENGTH:** Please specify _____
- 6. **FOOT WIDTH: (W)** Please specify _____
- 7. **BOND LENGTH: (BL)** Please specify (includes 1/3FR 1/3 +BR)
- 8. **FOOT FINISH:** M = Matte
 P = Polished Radius
- 9. **RADIUS: FR/BR**
 See Option Chart.
- 10. **RADIUS: LR/RR**
 See Option Chart. (STANDARD A=0)
- 11. **Tool Option:**
 Please specify MTA& SA (Tool-Angle) or see Tool Options

OPTION CHART (10/11)	OPTION LETTER	A	B	C	D	E	F	G	H	I	J	K	L	M
	Radius W / FL	in.	.0000	.0010	.0020	.0030	.0040	.0050	.0060	.0070	.0080	.0090	.0100	.0110
	μ	0	25	51	76	102	127	152	178	203	229	254	279	305

EXAMPLE FOR ALL OTHER RADIUS :
D =.0030 E =.0040 A1 to A9=.0001-.0009
D4=.0034 E1=.0041 B1 to B9=.0011-.0019
D5=.0035 E2=.0042 C1 to C9=.0021-.0029