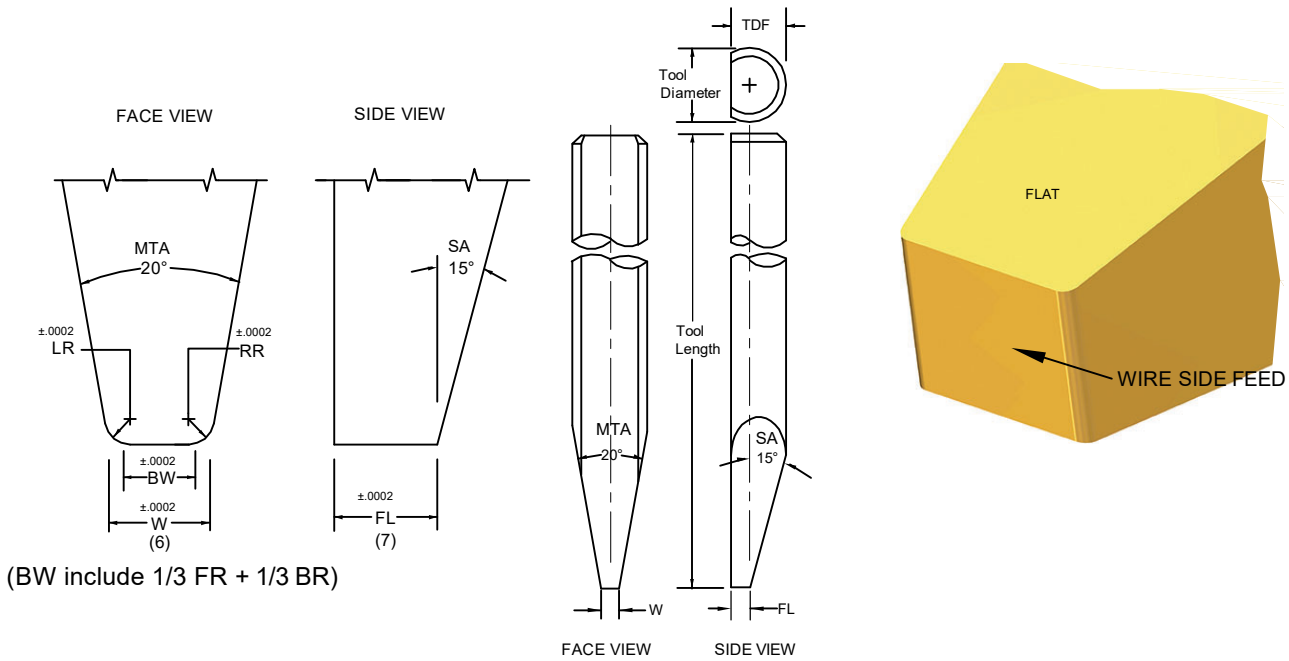


SERIES F-103

Two Sides Radius Tab Tool

Accelonix BV
 Luchthavenweg 18b • NL-5657 EB •
 Eindhoven • The Netherlands •
 T: +31 40 750 1650 • E: info@accelonix.nl



(BW include 1/3 FR + 1/3 BR)

MTA = MAIN TAPER ANGLE
 SA = SIDE VIEW ANGLE

Special dimensions available upon request.
 Dimensions not shown please specify.

We recommend ceramic material for all gold wire bonding for optimum results.

	TD		TDF	
	in.	mm	in.	mm
1/16	.0624	1.59	.0460	1.17
	.0784	1.99	.0630	1.60
3/32	.0937	2.38	.0880	2.24
	.1180	3.00	.0985	2.50
1/8	.1249	3.17	.0937	2.38
1/8	.1249	3.17	.1180	3.00

SAMPLE PART NUMBER: M-F-103-1/16-1-.004X.004-M-E

SYMBOL EXPLANATION:

- | | |
|---|---|
| <p>1. MATERIAL: _____</p> <p>M = Ceramic
 C = Tungsten Carbide
 T = Titanium
 All other: See Material Selection Guide</p> <p>2. SERIES: F _____</p> <p>3. STYLE: 103 _____</p> <p>4. TOOL DIAMETER: Please specify _____</p> <p>5. TOOL LENGTH: Please specify _____</p> <p>6. BOND WIDTH: (BW) Please specify _____
 (include 1/3 FR + 1/3 BR)</p> | <p>7. FOOT LENGTH: (FL) Please specify _____</p> <p>8. FOOT FINISH:
 M = Matte, better coupling for thermosonic gold bonding
 P = Polished FR, BR, & Bond Flat for thermocompression gold bonding
 MP = Polished FR, BR, and Matte Bond Flat. For ultrasonic aluminum bonding.</p> <p>9. LEFT / RIGHT RADIUS:
 See Option Chart below.</p> |
|---|---|

RADIUS OPTION CHART	OPTION LETTER		A	B	C	D	E	F	G	H	I	J	K	L	M	N
	LEFT RADIUS	in.	.0005	.0005	.0010	.0010	.0010	.0015	.0015	.0015	.0015	.0020	.0020	.0020	.0020	.0020
	LR	μ	13	13	25	25	25	38	38	38	38	51	51	51	51	
RIGHT RADIUS	in.	0	.0005	0	.0005	.0010	0	.0005	.0010	.0015	0	.0005	.0010	.0015	.0020	
	RR	μ	0	13	0	13	25	0	13	25	38	0	13	25	38	