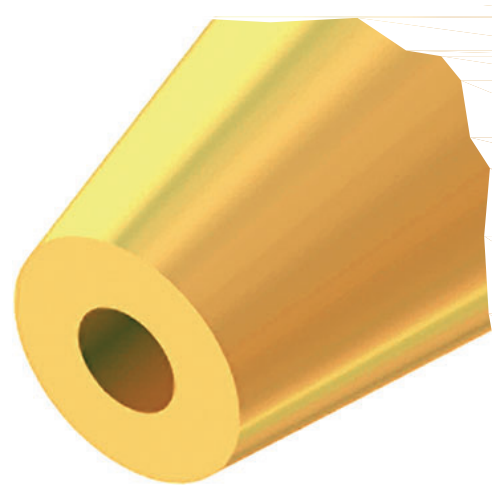
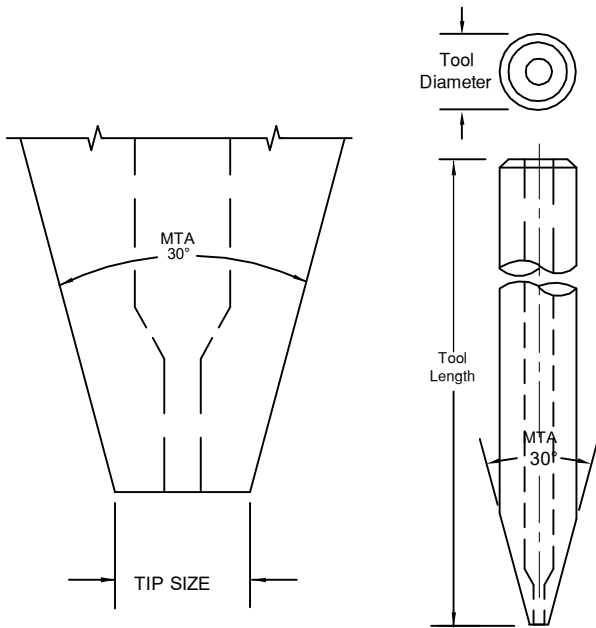


SERIES CTV

VACUUM PICK-UP TOOL

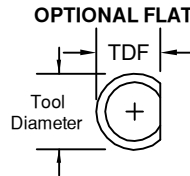
Accelonix BV
 Luchthavenweg 13b • NL-5657 EB •
 Eindhoven • The Netherlands •
 T: +31 40 750 1650 • E: info@accelonix.nl

STANDARD ROUND



MTA = MAIN TAPER ANGLE

Special dimensions available upon request.
 Dimensions not shown please specify.
 We recommend ceramic material for all gold wire bonding for optimum results.



For Standard Round specify TD only
 For Optional Flat specify TD and TDF

	TD		TDF	
	in.	mm	in.	mm
1/16	.0624	1.59	.0460	1.17
	.0784	1.99	.0630	1.60
3/32	.0937	2.38	.0880	2.24
	.1180	3.00	.0985	2.50
1/8	.1249	3.17	.0937	2.38
1/8	.1249	3.17	.1180	3.00

SAMPLE PART NUMBER: C-CT-V-1/16-1-.015-.010-P-X-*
SYMBOL EXPLANATION: 1 2 3 4 5 6 7 8 9 10

- 1. **MATERIAL:**
 - M = Ceramic
 - C = Tungsten Carbide
 - T = Titanium
 - All other: See Material Selection Guide
- 2. **SERIES:** CT
- 3. **STYLE:** Vacuum Pick-up Tool
- 4. **TOOL DIAMETER:** Please specify
- 5. **TOOL LENGTH:** Please specify
- 6. **TIP SIZE:** Please specify
- 7. **HOLE DIAMETER:** Please specify
- 8. **TIP FINISH:**
 - M = Matte
 - P = Polish
- 9. **RADIUS:** See Option Chart below.
- 10. **Tool Option:** Please specify MTA (Tool-Angle) or see Tool Options

RADIUS OPTION CHART	OPTION LETTER		A	C	F	J	X	
	RADIUS		in.	.0005	.0010	.0015	.0020	.0000
			μ	13	25	38	51	0