



# CT 419-5 CURRENT TRANSFORMER FOR IEC / EN 61000-4-19



- Current transformer designed for IEC / EN 61000-4-19
- Frequency range 2 kHz to 150 kHz
- 4 mm banana sockets
- 100 mΩ shunt

IEC / EN 61000-4-19 specifies the differential current test in the frequency range 2 kHz to 150 kHz. Teseq offers with CT 419-5 a transformer with integrated matching network for testing EUTs like electricity meters. The CT 419-5 is fully compliant with the requirements of the standard and provides a simple and reliable method of injecting differential mode current into the equipment under test (EUT).

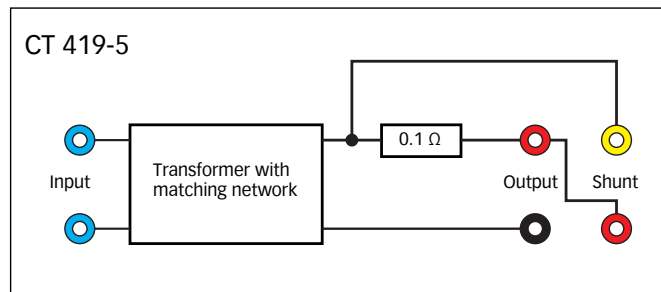
### Electrical specification

Frequency range:	2 kHz to 150 kHz
Current max:	5 A
RF voltage:	<22 V
Impedance:	1 Ω ±0.3 Ω
Shunt:	100 mΩ ±1 mΩ
Connections:	4 mm banana

### Mechanical specifications and environmental conditions

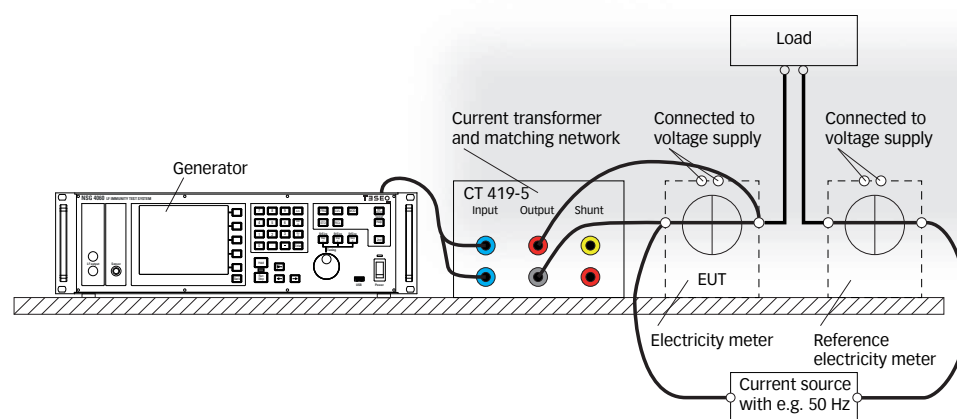
Size (W x H x D):	190 mm x 90 mm x 120 mm
Weight:	approx. 2.5 kg
Classification:	Indoor use only
Operating temperature:	+5°C to +40°C
Relative humidity:	up to 80%

### Circuit diagram



# CT 419-5 CURRENT TRANSFORMER FOR IEC / EN 61000-4-19

Application for IEC / EN 61000-4-19, frequency sweep in the frequency range 2 kHz to 150 kHz with Teseq NSG 4060 and CT 419-5



## Model No. and options

Part number	Description
255650	CT 419-5 5 Amps current transformer for DM current IEC 61000-4-19
97-255650	CT 419-TC Traceable calibration (ISO17025) for IEC 61000-4-19 requirements, order only with NSG 4060 and CT 419-5
98-255650	CT 419-DAkKS DAkKS accredited calibration (ISO17025) for IEC 61000-4-19 requirements, order only with NSG 4060 and CT 419-5

### Teseq GmbH

Landsberger Str. 255 · 12623 Berlin · Germany  
T +49 30 56 59 88 35 F +49 30 56 59 88 34  
info.rf.cts@ametek.com [www.teseq.com](http://www.teseq.com)

© July 2016 Teseq®

Specifications subject to change without notice. Teseq® is an ISO-registered company. Its products are designed and manufactured under the strict quality and environmental requirements of the ISO 9001. This document has been carefully checked. However, Teseq® does not assume any liability for errors or inaccuracies.

82-255650 E05 July 2016