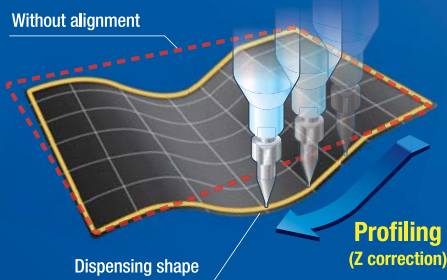


The fusion of dispensing "Core" technologies, MUSASHI's desktop robot

Automatic correction for individual differences  
in works and pallet array errors

## Complete 3-D alignment



Complete correction of device  
position deviation



Program generation/dispensing/  
measurement/log management

- ◆ Approx. 30% reduction\* in operation efficiency, greatly reducing labor time
- ◆ Yield improvement thanks to high-quality dispensing
- ◆ Operability improvement/reduction in programming labor



Efficiency comparison

Approx. **30% shortened\***  
(compared with  
conventional type)

Our conventional  
machine



\*: Measured with our prescribed method.

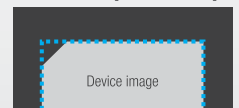
### Aiming for higher dispensing quality

Support for various work shapes

**Edge-detection function** NEW

Position of works can be adjusted using image processing in a broader range of conditions, including works that could not be detected previously.

Devices with irregular corner cutting



Coordination with dispenser

**SynchroSpeed™ function** NEW  
PAT.P

Achieve a constant drawing width that is independent of robot speed. High-quality dispensing is implemented without the need for complicated adjustments.

Right-angle dispensing



► Suitable for your requirements in mass production

#### Dispense correction

- Syringe setup function
- Gap measurement data retention function
- Nozzle cleaning and test shot function

#### Production management

- Production log function
- Process-monitoring function

#### Inspection

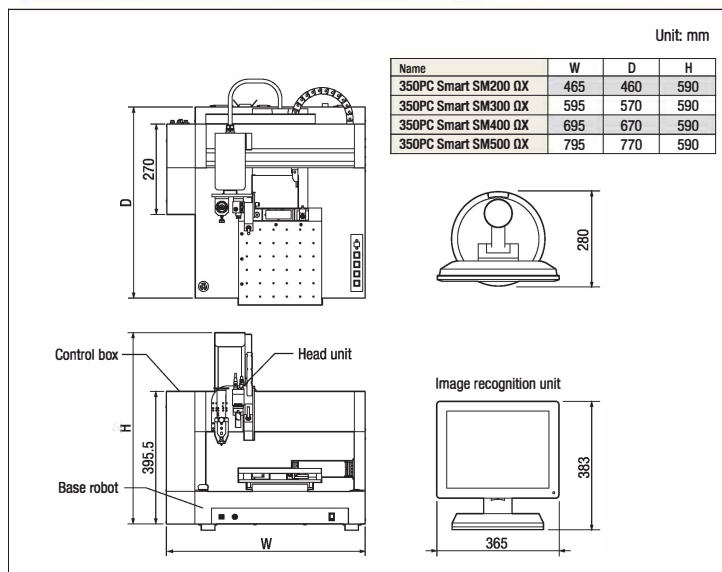
- Dimension measurement function
- Dispense path trace function
- Map generation function
- Simplified dispense shape judgment function

## Specifications

Name	350PC Smart SM200QX	350PC Smart SM300QX	350PC Smart SM400QX	350PC Smart SM500QX
Model	350PCS-SM2000MEGAX	350PCS-SM3000MEGAX	350PCS-SM4000MEGAX	350PCS-SM5000MEGAX
Number of controlled axes	3 axes			
Control method	PTP control/interpolation control			
Travel range	X*Y	200 × 200 mm	300 × 300 mm	400 × 400 mm
	Z	80 mm		
PTP operation speed setting range	X/Y	1 ~ 500 mm/s		
	Z	1 ~ 400 mm/s		
Interpolation operation speed setting range	X/Y	0.1 ~ 500 mm/s		
	Z	0.1 ~ 400 mm/s		
Repetitive positioning accuracy X/Y/Z	±0.005 mm			
Transportable weight (*1)	20 kg			
Main functions	3-D alignment function, work height measurement function, nozzle height detection function, offset function, nozzle gap correction function, automatic focus function, log function			
Options	Leakage protection box, field network unit, teaching pendant set, external operation box, work bases, holder units, nozzle cleaner, protection cover, signal tower, dispenser connection cable			
Rated power supply and frequency	AC100~240 V 50/60 Hz			
Power consumption (*1)	250 W		300 W	
Compatible standards (*1)	CE marking (Machinery Directive, EMC Directive)			
	EU RoHS			
External dimensions W*D*H (*1)	W465 × D460 × H590 mm	W595 × D570 × H590 mm	W695 × D670 × H590 mm	W795 × D770 × H590 mm
Weight (*1)	47 kg	60 kg	79 kg	94 kg

\*1: This is a reference value and varies according to option configurations.

## External dimensions



## Base robot

High-precision general-purpose desktop gate-type robot **QX series**



SHOTmini200QX-SS SHOTMASTER300QX-SS SHOTMASTER400QX-SS SHOTMASTER500QX-SS

## MUSASHI inline motion unit

Fully automatic dispenser machine

**DISPENS MASTER™**  
**FAD™ 2500**



**Safety precautions**  
Please read the instruction manual carefully before use to ensure correct and safe usage.

\*These specifications are subject to change without any notice.  
\*The copyright of this catalog belongs to our company. Reproduction and distribution of the pictures, illustrations and any other information in this catalog to any other media without prior written permission are strictly prohibited; doing so will result in copyright infringement.

MUSASHI ENGINEERING, INC. (headquarters) is certified and registered according to the ISO 9001 Quality Management System and the ISO 14001 Environmental Management System.



<http://musashi-engineering.de>

**Accelonix**  
keeping you ahead.

Accelonix BV ■ Luchthavenweg 18-b ■ NL-5657 EB Eindhoven  
www.accelonix.nl ■ info@accelonix.nl ■ Tel.+31-40-7501650